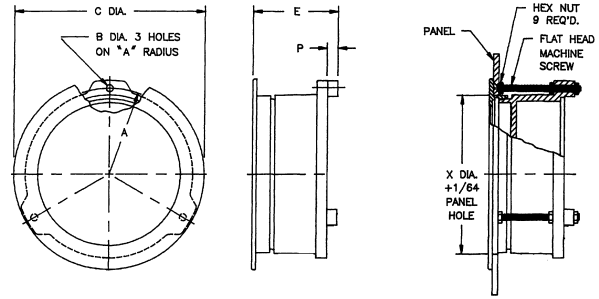


Flush Panel Mount Types



Flanged threaded glass retaining ring for full flush mounting.
Extra cost option on all dial size remote mount thermometers.



NOTE: Rear (back) connections are recommended for flush mounting.
Bottom connection is also available.
NOTE: Style "E" formerly was style "AF".

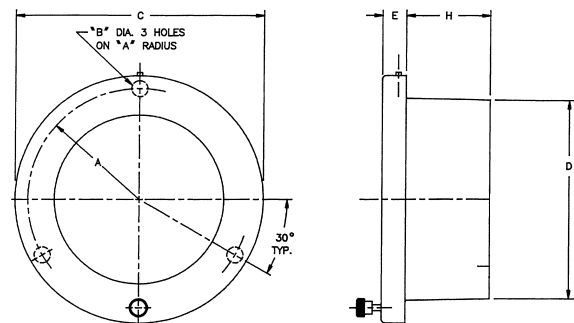
GAUGE SIZE		A	B	C	D	E	P	X	SCREW SIZE
3½	INCH	2 ¹ / ₁₆	7 ¹ / ₃₂	5	4 ¹⁵ / ₁₆	2	1 ¹ / ₈	4	10-32 x 2½
	MM	56	6	127	125	51	3	102	
4½	INCH	2 ¹¹ / ₁₆	7 ¹ / ₃₂	5 ⁷ / ₈	6	2 ⁷ / ₁₆	3 ¹ / ₈	5	10-32 x 2½
	MM	68	6	149	152	62	5	127	
6	INCH	3½	7 ¹ / ₃₂	7 ⁷ / ₈	7 ³ / ₄	2 ⁷ / ₁₆	3 ¹ / ₈	6½	¼-20 x 2½
	MM	89	7	194	197	62	5	165	
8½	INCH	4 ¹³ / ₁₆	7 ¹ / ₃₂	10 ¹ / ₈	10 ³ / ₈	2 ⁵ / ₁₆	1 ¹ / ₈	9	¼-20 x 2½
	MM	122	7	257	264	59	2	229	

STYLE	DIAL SIZE(S)	MATERIAL
E	3½", 4½", 6" and 8½"	Aluminum Black Textured Enamel Finish

Hinged Front Type For Flush Mounting



Molded plastic hinged front ring allows easy access to dial and pointer.
Extra cost option on 4½" and 6" dial size remote mount thermometers.



NOTE: Only available with rear (back) connection.

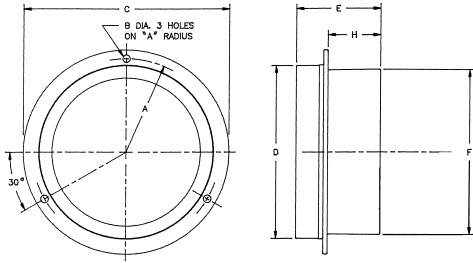
GAUGE SIZE		A	B	C	D	E	H	X
4½	INCH	2 ¹¹ / ₁₆	3 ¹ / ₁₆	6 ³ / ₁₆	4 ⁷ / ₈	5 ¹ / ₈	2	4 ¹⁵ / ₁₆
	MM	68	5	157	124	16	51	125
6	INCH	3½	3 ¹ / ₁₆	7 ¹³ / ₁₆	6 ⁵ / ₈	5 ¹ / ₈	1 ³ / ₄	6 ⁷ / ₁₆
	MM	89	5	198	168	16	44	164

X-PANEL HOLE CUT-OUT DIAMETER

STYLE	DIAL SIZE(S)	MATERIAL
W	4½" and 6"	Aluminum Black Textured Enamel Finish

NOTE: ALL DIMENSIONS ARE APPROXIMATE.

Flush Panel Mount Types (continued)



GAUGE SIZE		A	B	C	D	E	F	H	X
3½	INCH	2¼	¼	4⅞	4⅞	2	3⅜	1½	3⅞
	MM	57	6	125	105	51	97	26	100
4½	INCH	2⅞	¼	5⅞	5	2¼	4¾	1½	4⅞
	MM	68	6	149	127	57	121	38	124
6	INCH	3½	⅝	7⅞	6½	2⅞	6⅞	1⅞	6⅞
	MM	89	7	192	165	62	157	37	160

X-PANEL HOLE CUT-OUT DIAMETER

Front flanged case for semi-flush mounting.

Style "B" has Bayonet type glass retaining ring.

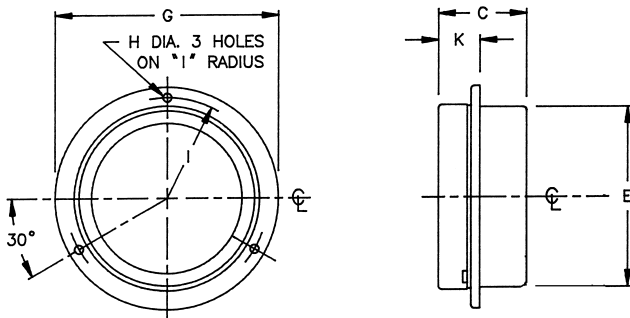
Style "H" has chrome like slip on glass retaining ring.

Extra cost option on all remote mount thermometers.



NOTE: Only available with rear (back) connection.

STYLE	DIAL SIZE(S)	MATERIAL
B	3½"-4½"-6"	Aluminum
H	8½" Only	Black Textured Enamel Finish



GAUGE SIZE		C	E	G	H	I	K
3½	INCH	1⅞	3⅞	5⅞	⅞	2⅞	1⅞
	MM	41	92	132	6	29	17
4½	INCH	2⅞	4⅞	5⅞	⅞	2⅞	1⅞
	MM	54	116	151	6	68	21

Front flanged case for semi-flush mounting.

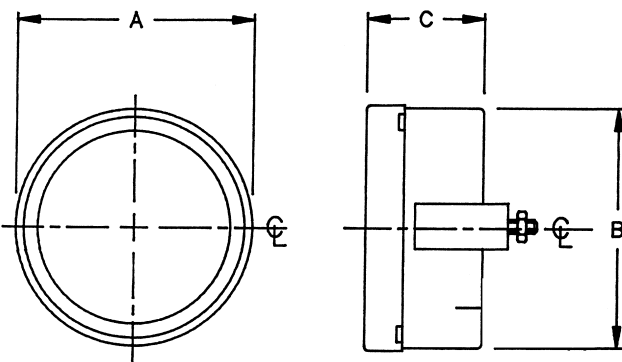
Bayonet type glass retaining ring.

Extra cost option for 3½" and 4½" dial size remote mount thermometers.



NOTE: Only available with rear (back) connection.

STYLE	DIAL SIZE(S)	MATERIAL
V	3½" and 4½"	Stainless Steel (300 Series)



GAUGE SIZE		A	B	C	D
3½	INCH	4	3⅞	1⅞	1⅞
	MM	102	92	41	28

*RECOMMENDED PANEL CUT OUT IS 3½"

U-clamp type flush mounting.

Bayonet type glass retaining ring.

Extra cost option for 3½" dial size remote mount thermometers.



NOTE: Only available with rear (back) connection.

STYLE	DIAL SIZE(S)	MATERIAL
U	3½" Only	Stainless Steel (300 Series)

NOTE: ALL DIMENSIONS ARE APPROXIMATE.