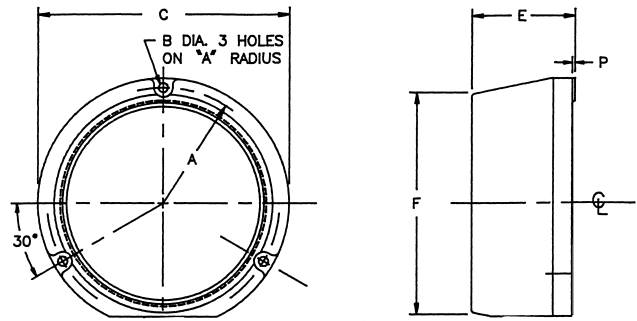


Surface (Wall) or Direct Mount Types



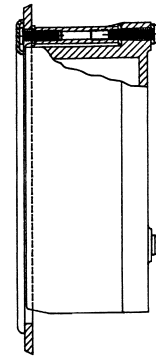
Snap-in glass retaining ring.  
Standard for 4½" remote or direct mount types (except all stainless steel adjust angle).



STYLE	DIAL SIZE(S)	MATERIAL
P	4½" Only	Polypropylene

GAUGE SIZE	A	B	C	E	F	P
	4½	INCH 2 1/16	1/4	5 13/16	2 7/16	5 1/16
	MM 68	6	148	62	129	2

FLUSH MOUNTING RING KIT FOR STYLE "P" CASE



CATALOG NUMBER	FOR USE WITH	PANEL CUT-OUT DIAMETER
TR45	4½" "P" Case	5.675"

Kit consists of flush mounting ring plus necessary hardware for mounting (screws, washers, spacer posts).

Surface (Wall) Mount Types

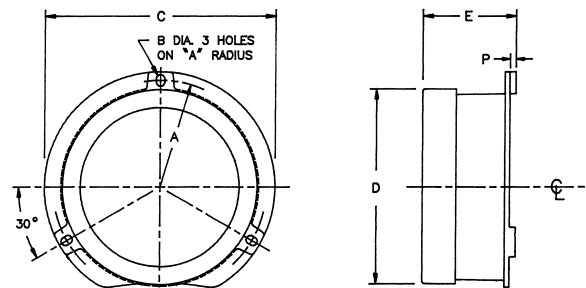


Style "A" has Bayonet type glass retaining ring.

Style "G" has chrome like slip on glass retaining ring.

Style "A" is standard on 3½" and 6" dial size remote mount thermometers and is optional for 4½" dial size.

Style "G" is standard on 8½" dial size remote mount thermometers.

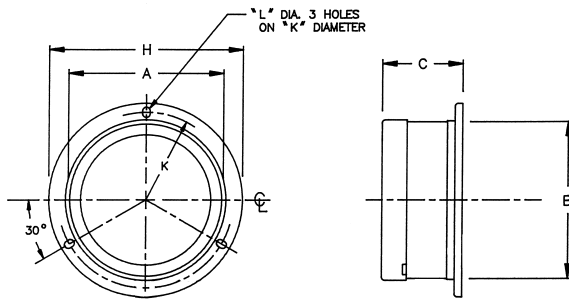


STYLE	DIAL SIZE(S)	MATERIAL
A	3½"-4½"-6"	Aluminum
G	8½" Only	Black Textured Enamel Finish

GAUGE SIZE	A	B	C	D	E	P
	3½	INCH 2 7/8	3/16	5	4	2 1/16
	MM 64	5	127	102	52	3
4½	INCH 2 11/16	3/16	5 7/8	4 19/16	2 7/16	1/8
	MM 68	5	149	125	62	3
6	INCH 3 3/16	1/4	7 7/8	6 7/16	2 1/2	1/8
	MM 90	6	194	164	64	3
8½	INCH 4 13/16	1/4	10 1/4	8 15/16	2 5/16	1/16
	MM 122	6	260	227	59	2

NOTE: ALL DIMENSIONS ARE APPROXIMATE.

## Surface (Wall) Mount Type (continued)



GAUGE SIZE		A	B	C	H	K	L
3½	INCH	3 <sup>5</sup> / <sub>16</sub>	3 <sup>3</sup> / <sub>8</sub>	1 <sup>1</sup> / <sub>8</sub>	5 <sup>7</sup> / <sub>16</sub>	4 <sup>3</sup> / <sub>8</sub>	7 <sup>7</sup> / <sub>32</sub>
	MM	100	92	41	132	111	6
4½	INCH	4 <sup>7</sup> / <sub>8</sub>	4 <sup>9</sup> / <sub>16</sub>	2 <sup>5</sup> / <sub>16</sub>	6	5 <sup>5</sup> / <sub>8</sub>	7 <sup>7</sup> / <sub>32</sub>
	MM	124	116	59	152	137	6

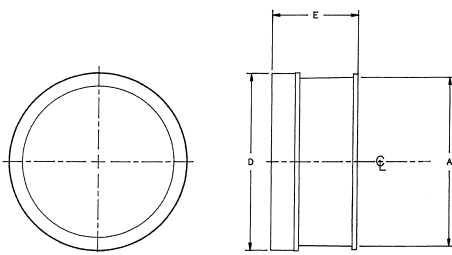
### Bayonet Type Glass Retaining Ring

Extra cost option for 3½" or 4½" dial size remote mount thermometers.



STYLE	DIAL SIZE(S)	MATERIAL
X	3½" and 4½"	Stainless Steel (300 Series)

## Direct Mount Types (Flangeless Case)



GAUGE SIZE	A	BEZEL-D		E
		BAY'NT	SLIP	
3½	INCH	3 <sup>3</sup> / <sub>8</sub>	4 <sup>1</sup> / <sub>8</sub>	2
	MM	98	105	51
4½	INCH	4 <sup>1</sup> / <sub>16</sub>	5	2 <sup>3</sup> / <sub>8</sub>
	MM	125	127	60
6	INCH	6 <sup>7</sup> / <sub>16</sub>	6 <sup>1</sup> / <sub>2</sub>	2 <sup>1</sup> / <sub>16</sub>
	MM	164	165	62
8½	INCH	8 <sup>5</sup> / <sub>8</sub>	8 <sup>3</sup> / <sub>4</sub>	2 <sup>1</sup> / <sub>4</sub>
	MM	219	222	57

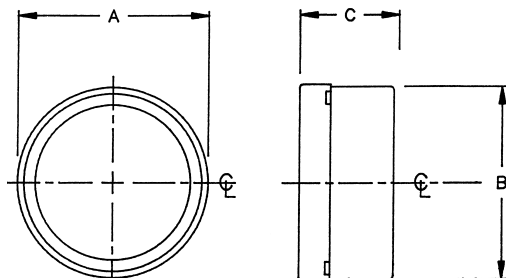
Style "C" is standard on 3½" and 6" dial size direct mount thermometers and is extra cost option for 4½" dial size.

Style "I" is standard for 8½" dial size direct mount thermometers.

Glass retaining ring is Bayonet type on style "C" and slip-on type on style "I".



STYLE	DIAL SIZE(S)	MATERIAL
C	3½"-4½"-6"	Aluminum
I	8½" Only	Black Textured Enamel Finish



GAUGE SIZE		A	B	C
3½	INCH	3 <sup>5</sup> / <sub>16</sub>	3 <sup>3</sup> / <sub>8</sub>	1 <sup>1</sup> / <sub>8</sub>
	MM	100	92	41
4½	INCH	4 <sup>7</sup> / <sub>8</sub>	4 <sup>9</sup> / <sub>16</sub>	2 <sup>3</sup> / <sub>16</sub>
	MM	124	116	56

### Bayonet Type Glass Retaining Ring

Standard on all stainless steel adjust angle, extra cost on all other 3½" or 4½" dial size direct mount thermometers.



STYLE	DIAL SIZE(S)	MATERIAL
Y	3½" and 4½"	Stainless Steel (300 Series)

NOTE: ALL DIMENSIONS ARE APPROXIMATE.