

±1.0 % Accuracy – Dry or Glycerine Filled
100mm Dial Size

Suitable for Broad Range of Industrial Applications

STANDARD FEATURES

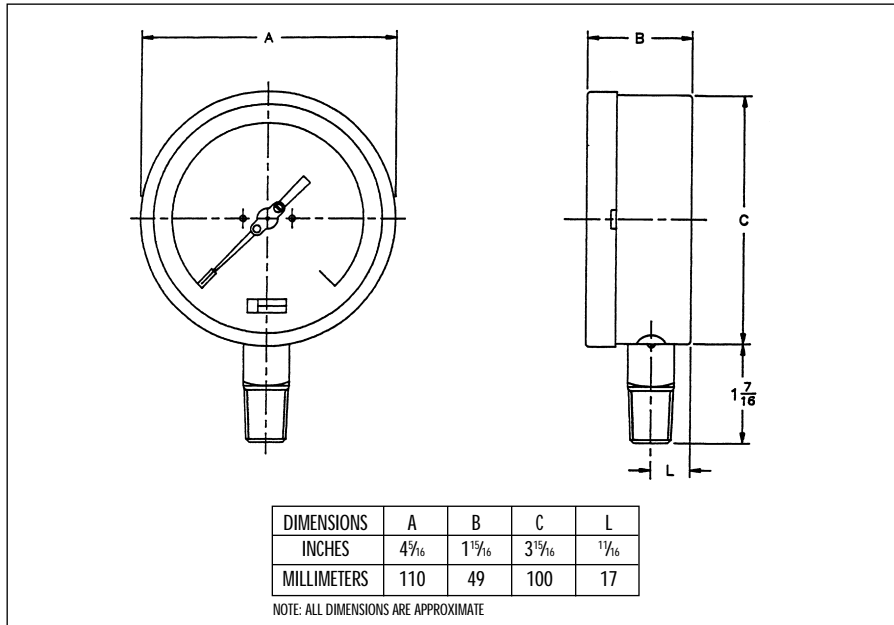
Movement: 300 series stainless steel

Pointer: Micrometer adjustable

Case: Polished 304 stainless steel
Hermetically sealed
Dry version is liquid fillable in field

Connection

Location: 1/4 NPT or 1/2 NPT lower (bottom)



BA4C (DRY GAUGE)



BY4C (GLYCERINE FILLED)

TO ORDER: SPECIFY 10 DIGIT CATALOG NUMBER FROM TABLE BELOW

RANGE DUAL SCALE PSI AND KPA	10 DIGIT CATALOG NUMBERS			
	DRY GAUGE		GLYCERINE FILLED GAUGE	
	1/4 NPT	1/2 NPT	1/4 NPT	1/2 NPT
HG vac and 100-0 kPa	BA4CYVC4LW	BA4CYVC2LW	BY4CYVC4LW	BY4CYVC2LW
30"-0-30 psi and 100-0-200 kPa	BA4CYCB4LW	BA4CYCB2LW	BY4CYCB4LW	BY4CYCB2LW
30"-0-60 psi and 100-0-400 kPa	BA4CYCC4LW	BA4CYCC2LW	BY4CYCC4LW	BY4CYCC2LW
30"-0-150 psi and 100-0-1000 kPa	BA4CYCE4LW	BA4CYCE2LW	BY4CYCE4LW	BY4CYCE2LW
0-15 psi and 0-100 kPa	BA4CYP4LW	BA4CYP2LW	BY4CYP4LW	BY4CYP2LW
0-30 psi and 0-200 kPa	BA4CYPD4LW	BA4CYPD2LW	BY4CYPD4LW	BY4CYPD2LW
0-60 psi and 0-400 kPa	BA4CYPE4LW	BA4CYPE2LW	BY4CYPE4LW	BY4CYPE2LW
0-100 psi and 0-700 kPa	BA4CYPF4LW	BA4CYPF2LW	BY4CYPF4LW	BY4CYPF2LW
0-160 psi and 0-1100 kPa	BA4CYPG4LW	BA4CYPG2LW	BY4CYPG4LW	BY4CYPG2LW
0-200 psi and 0-1400 kPa	BA4CYPH4LW	BA4CYPH2LW	BY4CYPH4LW	BY4CYPH2LW
0-300 psi and 0-2100 kPa	BA4CYPJ4LW	BA4CYPJ2LW	BY4CYPJ4LW	BY4CYPJ2LW
0-600 psi and 0-4200 kPa	BA4CYPM4LW	BA4CYPM2LW	BY4CYPM4LW	BY4CYPM2LW
0-1000 psi and 0-7000 kPa	BA4CYPV4LW	BA4CYPV2LW	BY4CYPV4LW	BY4CYPV2LW
0-2000 psi and 0-14000 kPa	N/A	BA4CYPY2LW	N/A	BY4CYPY2LW
0-3000 psi and 0-21000 kPa	N/A	BA4CYPY2LW	N/A	BY4CYPY2LW
0-5000 psi and 0-35000 kPa	BA4CYPV4LW	BA4CYPV2LW	BY4CYPV4LW	BY4CYPV2LW
0-10,000 psi and 0-70000 kPa	N/A	BA4CYPY2LW	N/A	BY4CYPY2LW