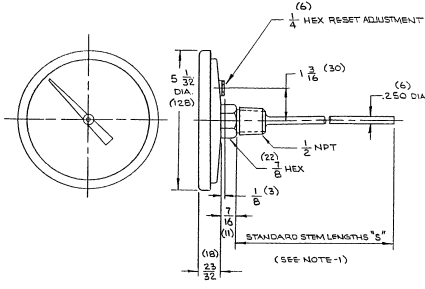
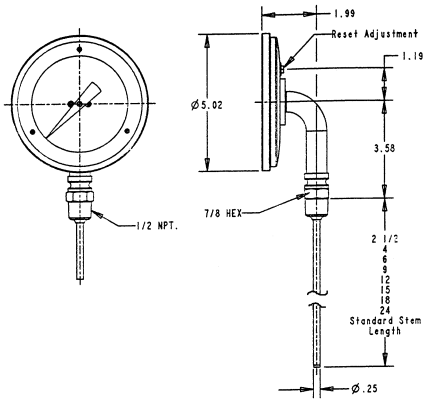


BACK ANGLE FORM TYPE 5A



MOUNTING DIMENSIONS TYPE 5A

STRAIGHT FORM TYPE 5S



MOUNTING DIMENSIONS FOR 5" DIAL SIZE THERMOMETER TYPES 5S, 5L & 5R

**STANDARD FEATURES**

- All Stainless Steel Construction
- External Recalibration Adjustment
- White dial with black markings
- Accurate to ± 1% of Scale Range
- Gasketed Glass Face
- Case is sealed to exclude dirt, dust and moisture

STEM LENGTH	CATALOG NUMBERS			
	90° BACK ANGLE FORM	STRAIGHT FORM	90° LEFT SIDE ANGLE FORM	90° RIGHT SIDE ANGLE FORM
2½"	5A02	5S02	5L02	5R02
4"	5A04	5S04	5L04	5R04
6"	5A06	5S06	5L06	5R06
9"	5A09	5S09	5L09	5R09
12"	5A12	5S12	5L12	5R12
15"	5A15	5S15	5L15	5R15
18"	5A18	5S18	5L18	5R18
24"	5A24	5S24	5L24	5R24

LONGER STEM LENGTHS AVAILABLE ON SPECIAL ORDER (48" MAXIMUM ON STRAIGHT, LEFT AND RIGHT SIDE FORMS; 72" ON BACK ANGLE)

**STANDARD RANGES**

CODE	Fahrenheit	DUAL SCALE	
		Fahrenheit (on outside)	Celsius (on inside)
FC	-80 to 120°F	and	-40/50°C
FE	-40 to 120°F	and	-40/70°C
FG	0 to 150°F	and	0/55°C
FJ	0 to 200°F	and	-20/94°C
FL	0 to 250°F	and	-20/120°C
FM	30 to 240°F	and	10/150°C
FN	25 to 125°F	and	10/200°C
FR	50 to 300°F	and	10/200°C
FS	50 to 400°F	and	10/290°C
FT	50 to 550°F	and	40/430°C†
FX	150 to 750°F†	and	100/550C*†
FY	200 to 1,000°F*†	and	100/550C*†
	<b>Celsius</b>		
CD	-50 to 50°C		
CJ	0 to 100°C		
CM	-10 to 110°C		
CN	0 to 50°C		
CR	0 to 150°C		
CS	0 to 200°C		
CU	0 to 300°C		
CX	50 to 450°C†		
CY	100 to 550°C*†		

\*Not recommended for continuous service above 800°F (425°C). For such temperatures see pg. 63.  
†Minimum stem length for these ranges 4".

**SEPARABLE THERMOWELLS AVAILABLE SEE PAGES 57 TO 61**

**HOW TO ORDER**

BASIC 4-DIGIT CATALOG NO. FROM TABLE ABOVE 5 A 0 6 4 4 F J X

STEM DIAMETER: "4" = .250" O.D. (STANDARD); "5" = .375" O.D. (EXTRA COST) \_\_\_\_\_

THREAD SIZE: "4" = 1/2 NPT MALE; "2" = 1/4 NPT MALE (EXTRA COST) \_\_\_\_\_

2 DIGIT RANGE CODE FROM RANGE TABLES ABOVE \_\_\_\_\_

OPTION(S): "X" = NONE REQUIRED; "9" = OPTION(S) REQUIRED (EXTRA COST) \_\_\_\_\_

IF OPTION(S) ARE REQUIRED SPECIFY: PLASTIC FACE, SHATTERPROOF GLASS FACE, PAPER TAG, STAINLESS STEEL TAG