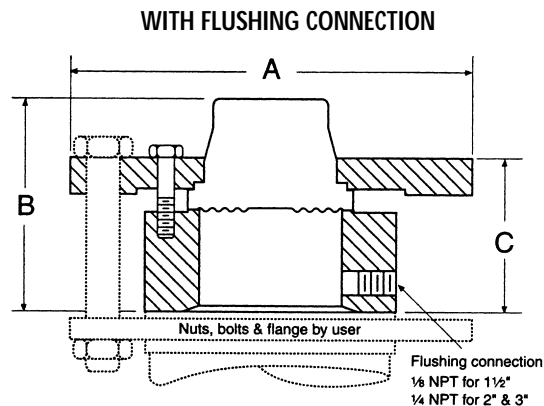
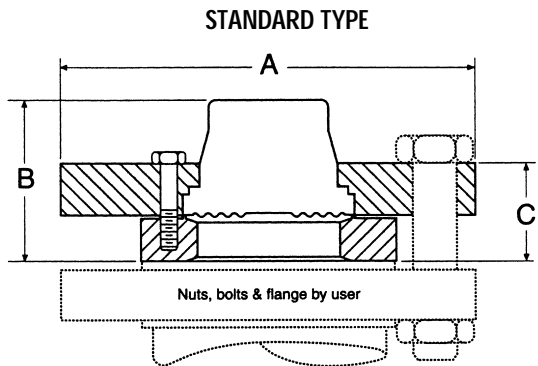


**Flanged**  
**1½", 2", 3"**  
**ANSI Raised Face Type**

**To Order:**  
**Refer to page 48.**

DIAPHRAGM	MODEL NUMBERS	
	STANDARD TYPE	WITH FLUSHING CONNECTION
Welded or Bonded	D19-3	D19-4
Clamped	DT-3	DT-4



FLANGE SIZE	RATING #	A		B		C	
		in	mm	in	mm	in	mm
1½"	150	5	(127)	2¾	(61)	1½	(38)
	300 or 600	6¼	(159)				
	900 or 1500	7	(178)				
2"	150	6	(152)	1¹⁵⁄₁₆	(52)	1¾	(35)
	300 or 600	6½	(165)			1½	(38)
	900 or 1500	8½	(216)			2½	(54)
3"	150	7½	(191)	2	(51)	1¾	(41)
	300 or 600	8¼	(206)			1¾	(47)
	900 or 1500	10½	(267)			3¼	(82)

FLANGE SIZE	RATING #	A		B		C	
		in	mm	in	mm	in	mm
1½"	150	5	(127)	3	(76)	2¼	(52)
	300 or 600	6¼	(159)				
	900 or 1500	7	(178)				
2"	150	6	(152)	3¹¹⁄₃₂	(84)	2¾	(60)
	300 or 600	6½	(165)				
	900 or 1500	8½	(215)				
3"	150	7½	(191)	3¾	(79)	2½	(56)
	300 or 600	8¼	(210)	3¾	(81)	2½	(57)
		900	9½	(241)	3²³⁄₃₂	(94)	2¾
	1500	10½	(267)				

ONE PIECE BOTTOM HOUSING (ALL MATERIALS EXCEPT PVC, TEFLON AND KYNAR)

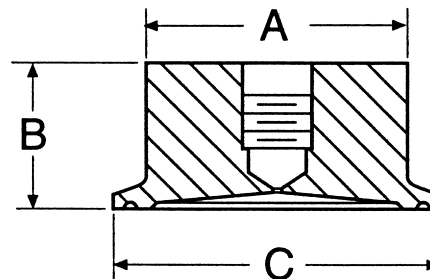
**Quick Connect Sanitary Type**

**MODEL NUMBER: D19-S**

Available in 1½" or 2" process connection sizes, the quick-connect diaphragm seal is designed especially for those applications that require ease of dismantling and reassembly. Typical applications include the pharmaceutical, dairy, food processing, biotechnology, and

filtration markets. Also included are breweries, distilleries, wineries and citrus juice production plants.

Standard features include a 316L stainless steel diaphragm welded to a 316L stainless steel top housing, a fill/bleed connection, and a top housing and pressure instrument removable from the process. The quick-connect seal is compatible with Triclover Triclamp® and Cherry Burrell S line® connections.



**FLANGED 1½", 2" SANITARY SEAL**

SIZE*	A		B		C	
	in	mm	in	mm	in	mm
1½"	1²¹⁄₃₂	(42)	⅞	(22)	2	(50)
2"	2	(51)	1⅛	(29)	2½	(63)

\*FOR TRICLOVER TRICLAMP

**To Order: Simply specify "D19-S" and Triclamp size.**

**NOTE:** See page 15 for sanitary gauges meeting 3A sanitary standard 37-01; see page 57 for sanitary thermowells for bimetal thermometers.